

## GENERAL SAFETY INSTRUCTIONS

### ⚠ ATTENTION!

- The assembly must be carried out by a qualified fitter! It is recommended that two people carry out the assembly.
- The ceiling rail system may only be attached to ceilings with an appropriate load-bearing capacity!
- The structure of the ceiling must be suitably solid and suitable for the subsequent total weight (including attached pantographs and accessories). Never mount the ceiling rail system on a wooden ceiling or an unstable or suspended ceiling!
- Always ensure that the mounting screws are properly anchored!

**Note:** Information on the weight of the ceiling rail system can be found in the chapter "Technical data". The weight specifications for other possible add-on parts can be found in the operating instructions supplied with these parts.

### ⚠ DANGER FROM FALLING OR DROOPING PARTS!

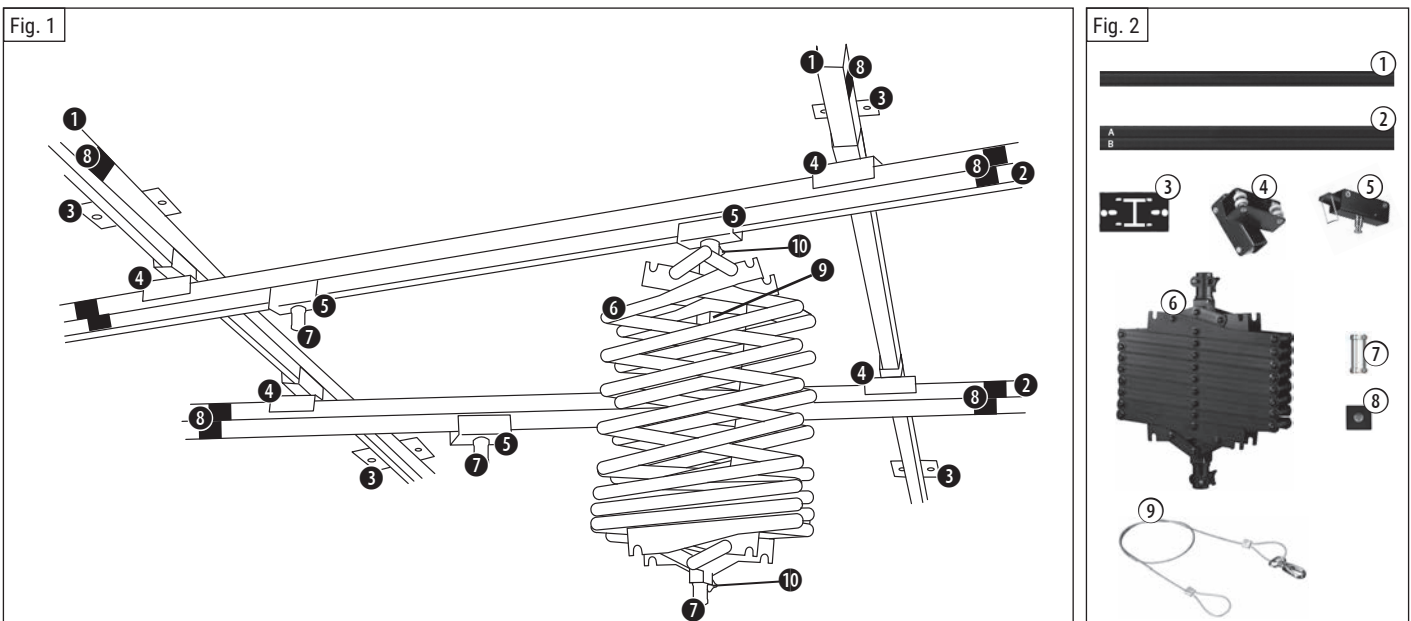
- Make sure that the ceiling rail system is securely and stably mounted before attaching other device accessories\* to it.
- Secure all devices/accessories\* mounted on the pantographs using safety wire rope.

- Lay the voltage and connection cables in such a way that they cannot be damaged by the trolleys or cause strangulation to persons!
- Only use accessories that meet the required specifications. Find more information in the chapter "Technical data".

- The maximum total load capacity of the ceiling rail system must not be exceeded. At the maximum total load capacity, both the total system weight and the weights of the mounted accessories/devices\* must be taken into account. Find detailed information on weights under "Technical data" as well as in the manual of the mounted accessory.

### ⚠ DANGER OF CRUSHING!

- Do not touch the guide rails during assembly, cleaning, operation and when changing the position or moving the current collectors!
- Do not insert fingers into the lifting mechanism of the pantograph!



## PARTS OVERVIEW (Fig. 1)

- ① Single slide rails ② Double slide rails ③ Ceiling brackets ④ Double carriage roller ⑤ Single carriage roller (with integrated spigot connection)
- ⑥ Pantograph ⑦ Spigot adapter ⑧ Rail stopper ⑨ Safety wire rope ⑩ Knob screw

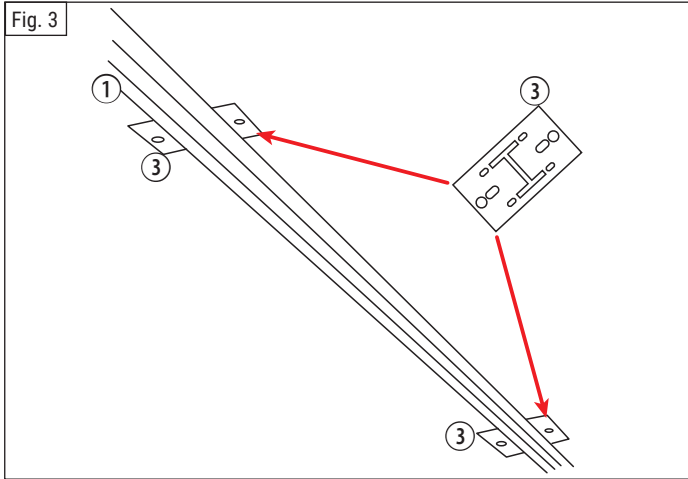
## SCOPE OF DELIVERY (Fig. 2)

- ① 2x single slide rails ② 2x double slide rails ③ Ceiling bracket (4x) ④ Double carriage roller (4x) ⑤ Single carriage roller (4x) ⑥ Pantographs (4x)
- ⑦ Spigot adapter (4x) ⑧ Rail stopper (12x) ⑨ Safety wire rope (4x)

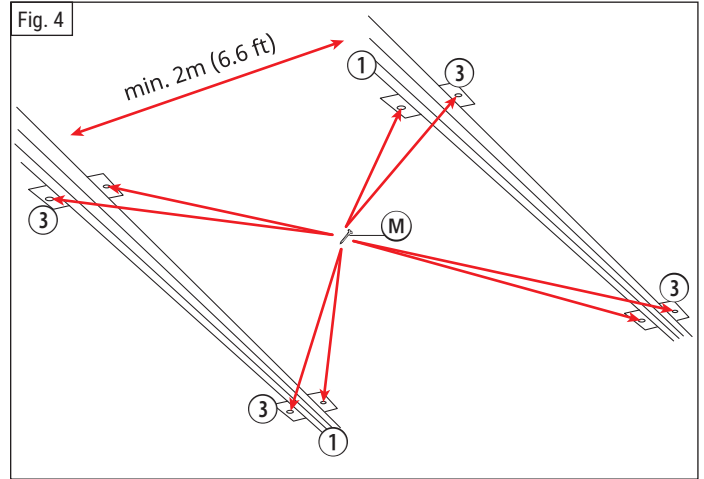
## ADDITIONALLY REQUIRED\*

Phillips screwdriver, 8 pcs. mounting screws (type M6) and, if necessary, suitable dowels/ceiling anchors for mounting the ceiling brackets

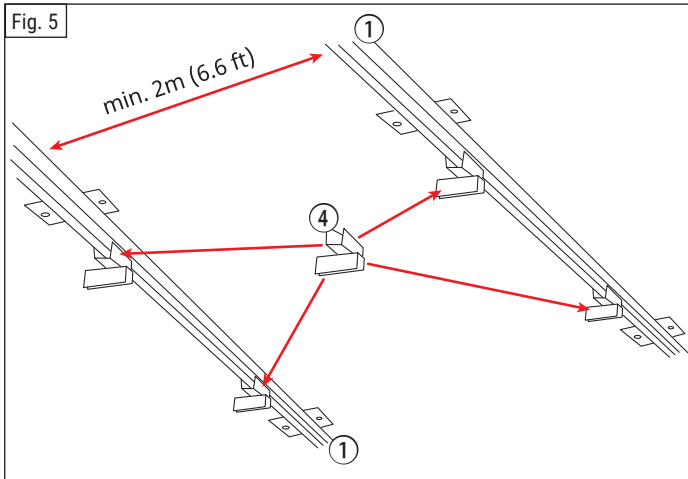
# MOUNTING (Fig. 2-5)



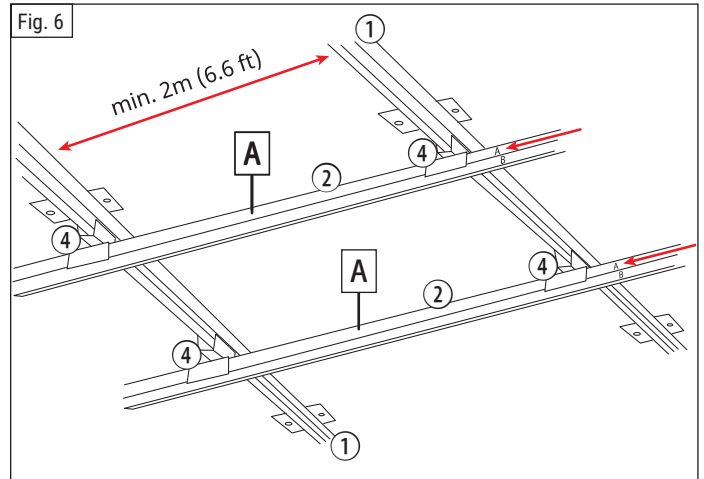
**Step 1:** The ceiling brackets (3) are already fixed to the floor with a distance of min. 45 cm to the rail end of the single slide rails (1).



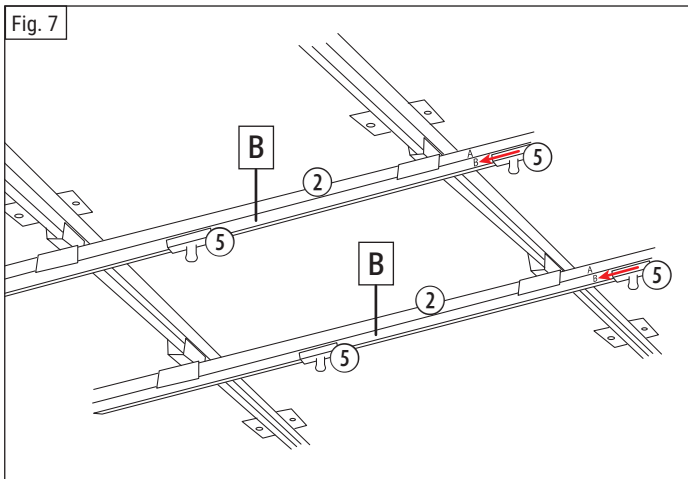
**Step 2:** Mount the two single slide rails (1) at a distance of about 2 m parallel to each other on the ceiling. To do this, screw the brackets (3) into the ceiling using two mounting screws\* of M6 size each (M) and suitable dowels/ceiling anchors\* if necessary.



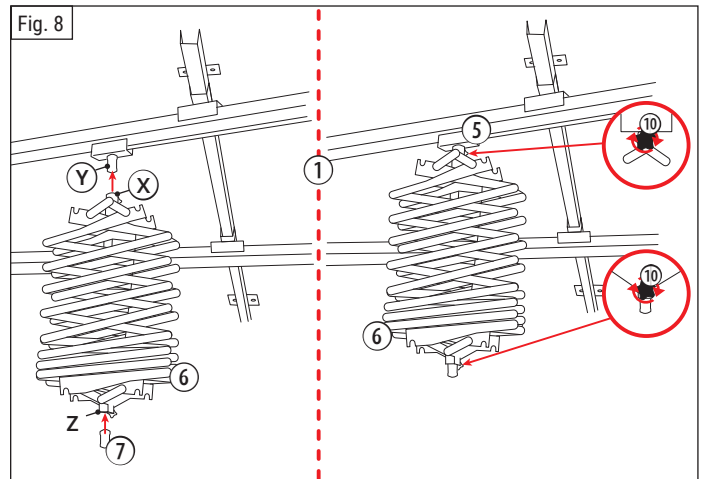
**Step 3:** Attach two double carriage rollers (4) to each of the two assembled single slide rails (2). After attaching the carriage rollers, attach one rail stopper (6) to each end of the slide rail with the fastening screw.



**Step 4:** Insert level 'A' rail of the double slide rails (2) into the lower part of each of the two double carriage rollers (4) so that they run crosswise under each of the two single slide rails (1). This results in a cross-like basic rail structure (see Fig. 6)



**Step 5:** Place the single roller units (5) on level 'B' of the double runners. After attaching the carriage rollers, attach one rail stopper (6) to each end of the slide rail with the fastening screw.

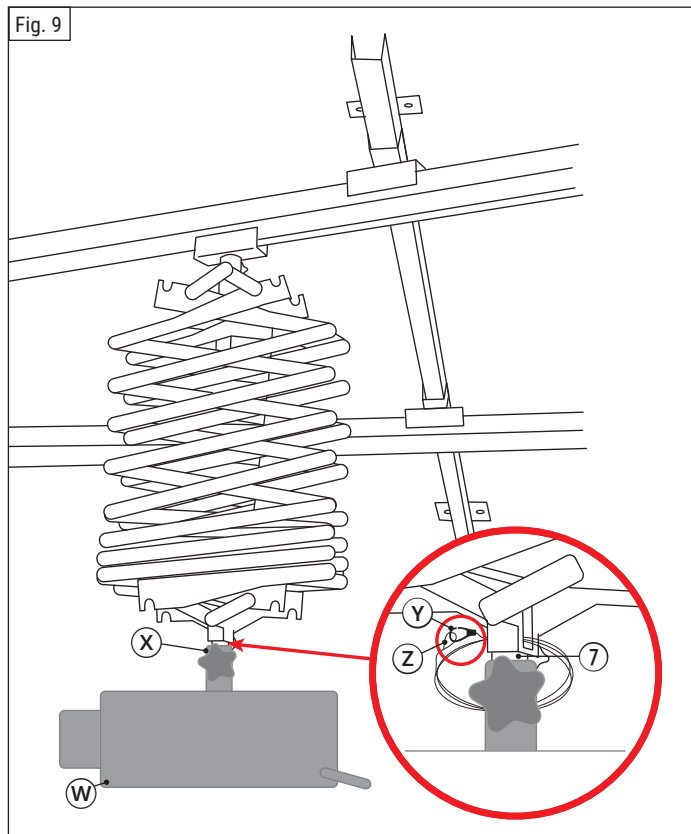


**Step 6:** Attach the pantographs (6) with their upper sockets (X) to the spigots (Y) of the single carriage rollers (5). Insert the spigot adapters (7) into the lower sockets (Z) of the pantographs. Hand-tighten the knob screws (10) on both sockets.

\*not included with the purchase

## ATTACHMENT OF ACCESSORIES/ DEVICES\* (Fig. 9)

## TECHNICAL DATA



|   |                       |
|---|-----------------------|
| <b>Model</b>  | <b>F000224</b>        |
| <b>Type</b>   | Ceiling rail system   |
| <b>Ceiling rails/length</b>   | 4 pcs./ 2m each       |
| <b>System's tare weight (incl. mounting material and pantographs<sup>1,2</sup>)</b> | about 32.5 kg         |
| <b>Pantographs/ maximum load capacity<sup>2</sup></b>                               | 4 pcs./each max. 5 kg |
| <b>Pantograph extract</b>   | approx. 40-200 cm     |
| <b>Material</b>   | Aluminium, black      |

<sup>2</sup>For mounting, always account the total system weight and the all single weights of the mounted accessories/devices\*!

Attach the desired device/accessory\* (W) to the spigot adapter (7) at the lower part of the pantograph (6) (for more information on mounting the accessory/device\*, see the corresponding operating instructions).

Wrap the safety wire rope around the lower part of the pantograph (6) and the bracket (X) of the mounted accessory/equipment\* and hook the snap hook (Y) into the loop (Z). When its done, the device/accessory\* is additionally secured against falling.



### WARRANTY



[www.bresser.de/warranty\\_terms](http://www.bresser.de/warranty_terms)

---

**Bresser GmbH**  
Gutenbergstraße 2  
46414 Rhede · Germany  
[www.bresser.de](http://www.bresser.de)

    @BresserEurope



© 2021 Bresser GmbH, 46414 Rhede, Germany.  
No part of this manual may be reproduced, transmitted, transcribed or translated into any language  
in any form without the written permission of Bresser GmbH.  
Errors and technical changes reserved.  
Manual\_F000224\_BR-CR-1\_en\_BRESSER\_v032021a